

Heavy duty push-pull type toggle clamps

for push-pull clamping

SPECIFICATION

Type

- Type **AS**: Steel or brass base, forged

Body

Brass: Size 70

Steel: Size 160 to 3100

- forged

- black lacquered

Parts in sheet metal

Case-hardened Steel C10

zinc plated, blue passivated

Plunger

Steel St 37

zinc plated, blue passivated

Bearing pins (rivets)

case-hardened

INFORMATION

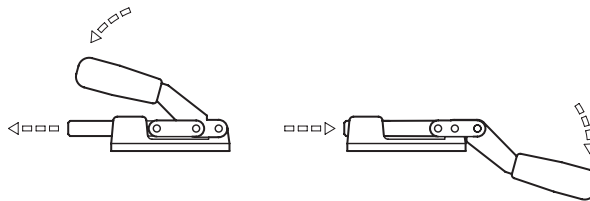
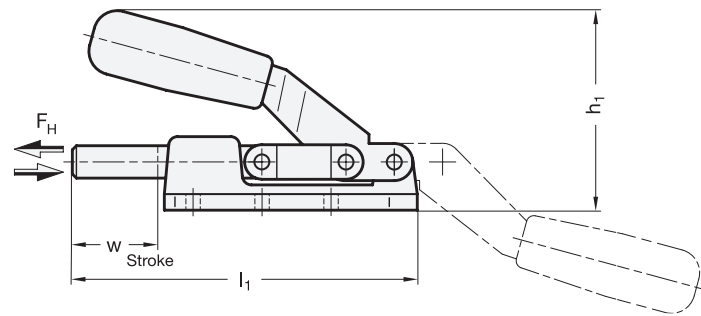
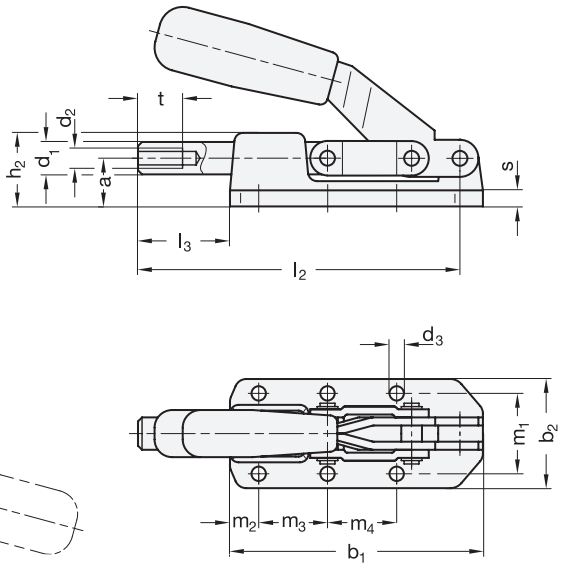
GN 842 heavy duty push-pull type toggle clamps can be used for very high holding capacities thanks to their massive and sturdy body.

On the size 70, the mounting holes are provided with cylindrical countersinks for the use of hexagon socket head screws DIN 912-M4.

- General information for toggle clamps (see page 1560)

ACCESSORY

- Spindle assemblies (see page 1623)



GN 842

Description	Size	FH in N	a	b1	b2	d1	d2	d3	h1 ≈	h2 ≈	l1	l2 ≈	l3	m1	m2	m3	m4	s	t	w	⚖
GN 842-70-AS	70	1200	12	64	36	8.5	M 6	4.3	42.5	19.5	86	79	22	26	13	26	-	6	12	20	180
GN 842-160-AS	160	2800	15	85	46	11	M 6	5.3	59	25	116	107	31	33.5	11.5	36.5	-	7	12	30	300
GN 842-360-AS	360	5600	25	90	45.5	12	M 8	5.5	75	34.5	122	114	32	33.5	30	36.5	-	7	15	32	450
GN 842-550-AS	550	8000	18	122.5	55	14	M 8	7	82.5	29.5	164.5	154.5	42	41	15	35	41	6	16	42	720
GN 842-1100-AS	1100	16000	25	133	57	16	M 10	8.5	95	38	182	170.5	49	41	15	35	41	8	18	50	1090
GN 842-2100-AS	2100	25000	35	177	70	20	M 12	8.5	118.5	50	238	222	61	50	35	50	50	10	22	60	2200
GN 842-3100-AS	3100	45000	40	216	76	22	M 14	11	137	56	316	300	100	54	40	70	70	10	25	100	3100

